

FEATURES

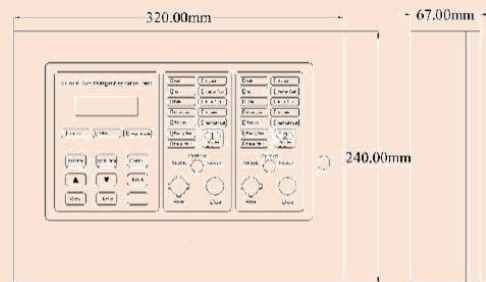
- * Two extinguishing zones
- * Integrated with V-GREAT FD&A panel for an addressable extinguishing system
- * Key-switch for AUTO/Manual Mode
- * Outputs available for Valves, actuators and Aerosol Unit control
- * Upto 200 event logs
- * Messages can be uploaded to intelligent control panel
- * Ideal solution for small economic project with VG-6811



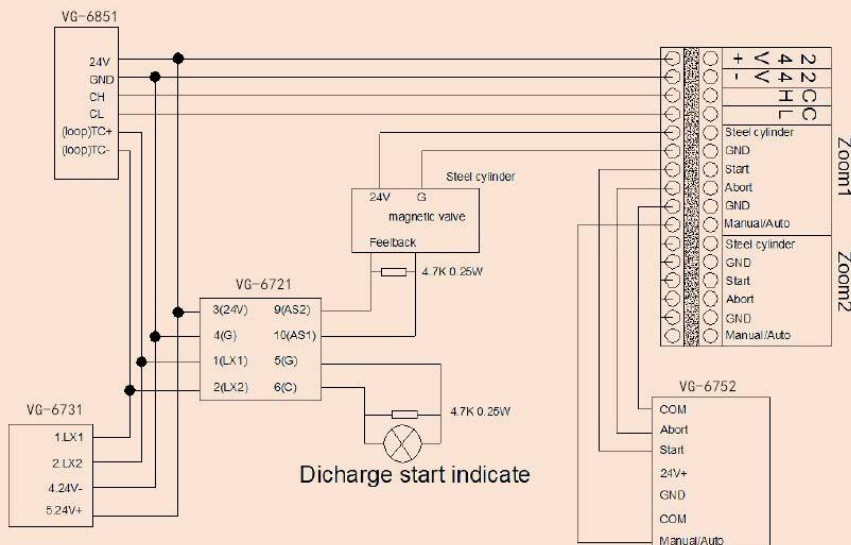
DESCRIPTION

VG-6134 Gas Extinguishing Panel is a mini control panel with two extinguishing zones only. Integrated with V-GREAT FD&A Panel, it can provide an addressable gas extinguishing system. Same as VG-6132, VG-6134 has status indicators, start/abort button and key switch for each extinguishing zone. Together with VG-6811 Mini Intelligent Panel, VG-6134 is considered as an ideal solution which offer an economic solution for small project or protection area, such as residential house, restaurant, hotel, bank office, telecom station, etc.

DIMENSION



WIRING INSTRUCTION



TECHNICAL DATA

Power Supply	DC24V-28V	Temperature	-10°C ~ 45°C
Extinguishing Zone	2 zones	Humidity	≤95%RH (40±2°C)
Cylinder Start Voltage	DC24-28V	Installation	Wall-mount
Maximum Start Current	2A	Dimension	320*68*240mm